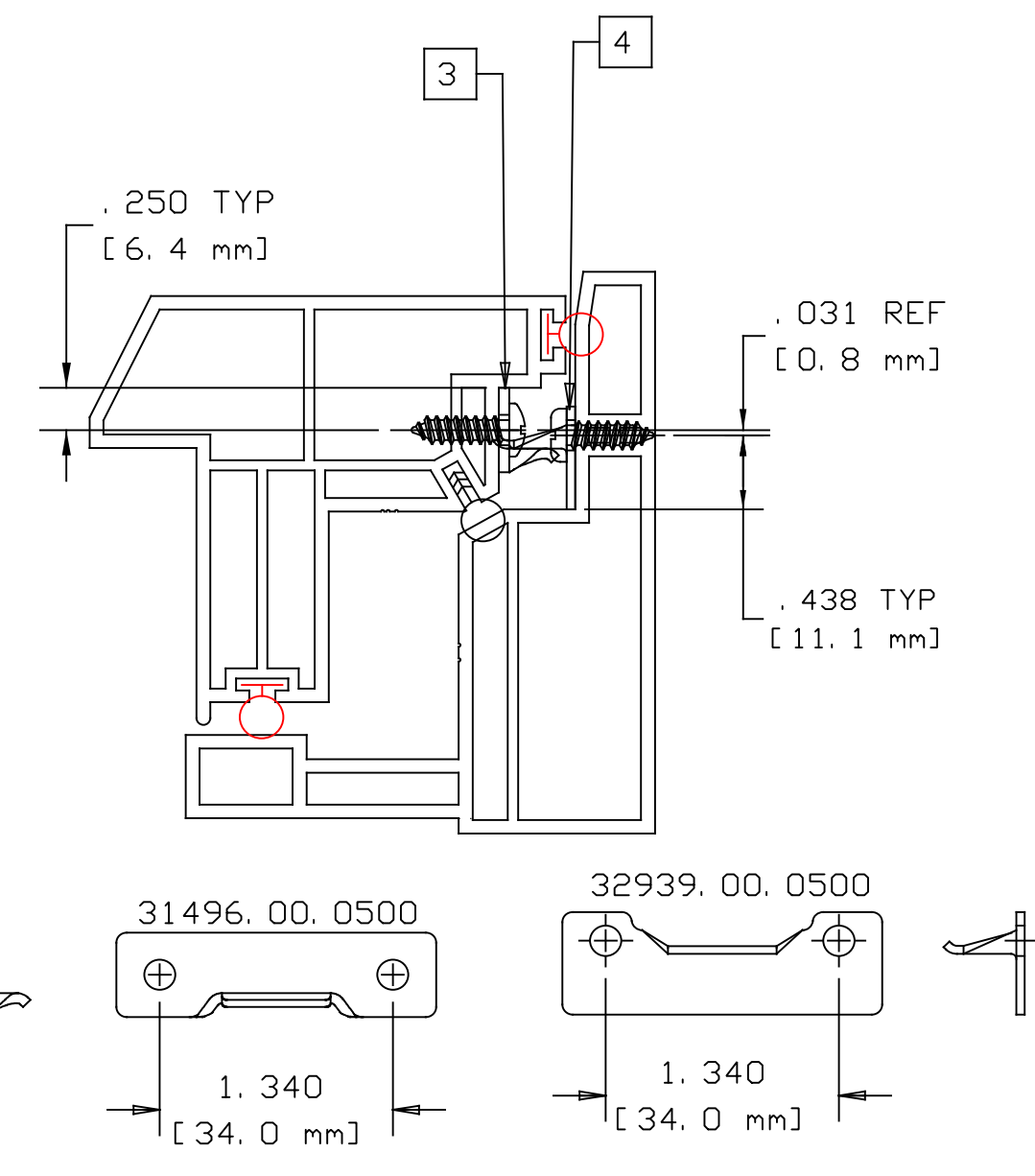


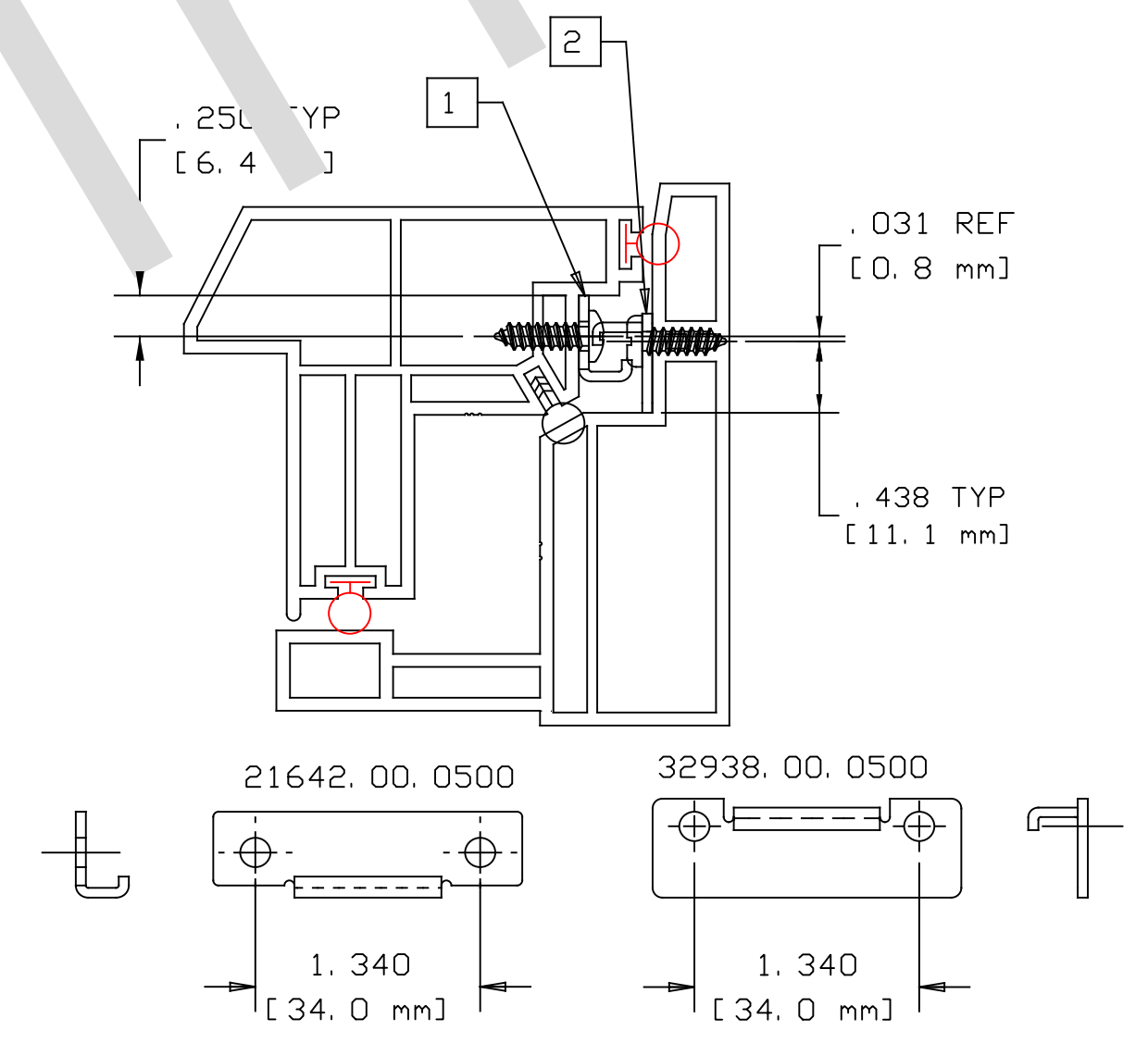
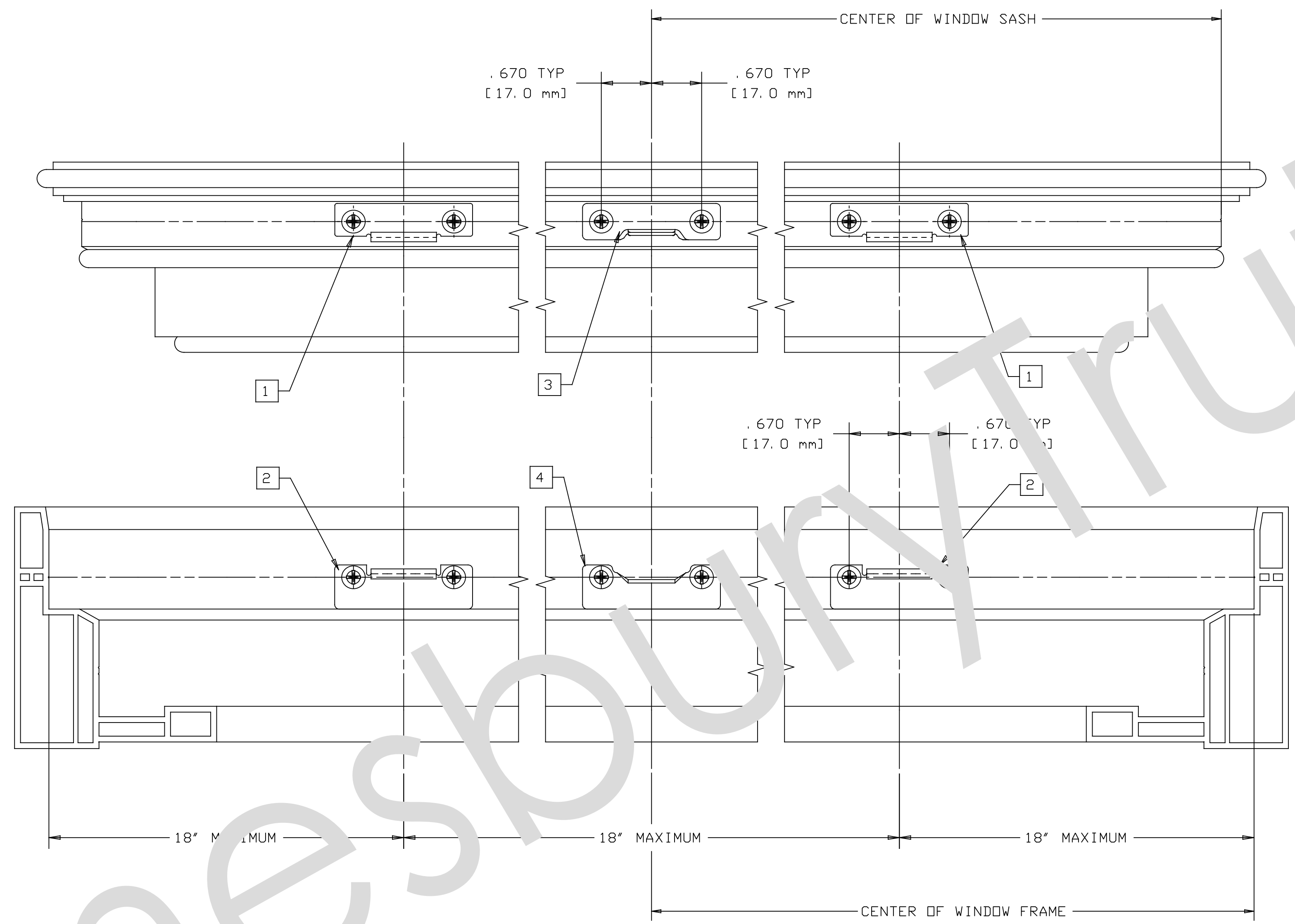
BREAK ALL SHARP EDGES

SIZE D DRAWING NO. GENERIC_DD

NO.	LOC.	NOV	VAS	DATE	INT
A		CREATED		12/08/06	TRR
B		9/16	19/16	01/08/07	MDN
C		32938.00.0500	24337P006		
		21642.00.0500	24337P007		
D		31496.00.0500	24337P010	01/08/07	MDN
E		LAYOUT REVISION		04/11/07	MDN
F		LAYOUT REVISION		05/24/10	MDN



POSITIVE COMPRESSION SNUBBER: ONE SET RECOMMENDED CENTERED ON WINDOWS OVER 30" TALL TO PREVENT SASH FATIGUE BOWING



NEGATIVE AIR SNUBBER: ONE SET OF SNUBBER FOR EVERY MULTI-POINT LOCK POINT ON WINDOWS 30" AND OVER FOR DP TESTING

DO NOT SCALE DRAWINGS

ITEM #	PART #	QTY	DESCRIPTION
1	21642.00.0500	AR	NEGATIVE PRESSURE SNUBBER (SASH)
2	32938.00.0500	AR	NEGATIVE PRESSURE SNUBBER (FRAME)
3	31496.00.0500	1	COMPRESSION SNUBBER (SASH)
4	32939.00.0500	1	COMPRESSION SNUBBER (FRAME)

85.00*	-	-	+	-	-
80.00*	-	-	+	-	-
75.00*	-	-	+	-	-
70.00*	-	-	+	-	-
65.00*	-	-	+	-	-
60.00*	-	-	+	-	-
55.00*	-	-	+	-	-
50.00*	-	-	+	-	-
45.00*	-	-	+	-	-
40.00*	-	-	+	-	-
35.00*	-	-	+	-	-
30.00*	-	-	+	-	-
25.00*	-	-	+	-	-
20.00*	-	-	+	-	-

- NOTES:
- SNUBBER EQUALLY SPACED PATTERNS SHOWN IN MATRIX ARE CENTERED ON THE SASH AND FRAME.
 - CENTER TO CENTER DIMENSIONS FOR SNUBBER NOT TO EXCEED 18".
 - IN SNUBBER MATRIX CHART:
 "+" = POSITIVE PRESSURE SNUBBER
 "-" = NEGATIVE PRESSURE SNUBBER

TRUTH HARDWARE MAKES NO WARRANTY OR REPRESENTATION OF ANY KIND, EXPRESS OR IMPLIED, WITH RESPECT TO QUALITY, CONTENT, FORM, PERFORMANCE, FITNESS FOR PURPOSE, MERCHANTABILITY OR OTHERWISE OF THE APPLICATION DRAWINGS PROVIDED. THESE DRAWINGS ARE USED AT THE RECIPIENT'S OWN RISK AND TRUTH HARDWARE HAS AND SHALL HAVE NO RESPONSIBILITY FOR RECIPIENT'S, OR ANY THIRD PARTY'S, USE OF THESE DRAWINGS OR ANY OF THE INFORMATION CONTAINED THEREIN. THE RECIPIENT AGREES TO INDEMNIFY, DEFEND, AND HOLD HARMLESS TRUTH HARDWARE AND ITS EMPLOYEES AND THEIR SUCCESSORS AND ASSIGNS FROM AND AGAINST ANY AND ALL CLAIMS, SUITS, LOSSES, DAMAGES, OR COSTS INCURRED FROM USING THESE DRAWINGS OR ANY CONTENT THEREOF. THIS DRAWING CONFORMS TO ANSI Y14.5M - 1982

COMMENTS

Truth Hardware
an FKI Industries company
700 West Bridge Street
Owatonna, MN 55060
Telephone: 507-451-5620

PROPRIETARY TO: []

THIS DRAWING IS THE PROPERTY OF TRUTH HARDWARE. THE INFORMATION THEREIN IS TO BE TREATED AS CONFIDENTIAL. IT IS NOT TO BE USED, COPIED, OR DISCLOSED TO OUTSIDE PARTIES WITHOUT OUR WRITTEN CONSENT.

DRAWN BY T. SIETSEMA DATE 12/09/06
CHECKED BY TRS SCALE FULL

PART NAME APPLICATION DRAWING
7/16" SST SNUBBER PVC CASEMENT

PROFILE	DRAWING NO.	REVISION	SIZE
GENERIC PVC	GENERIC_DD	E	D